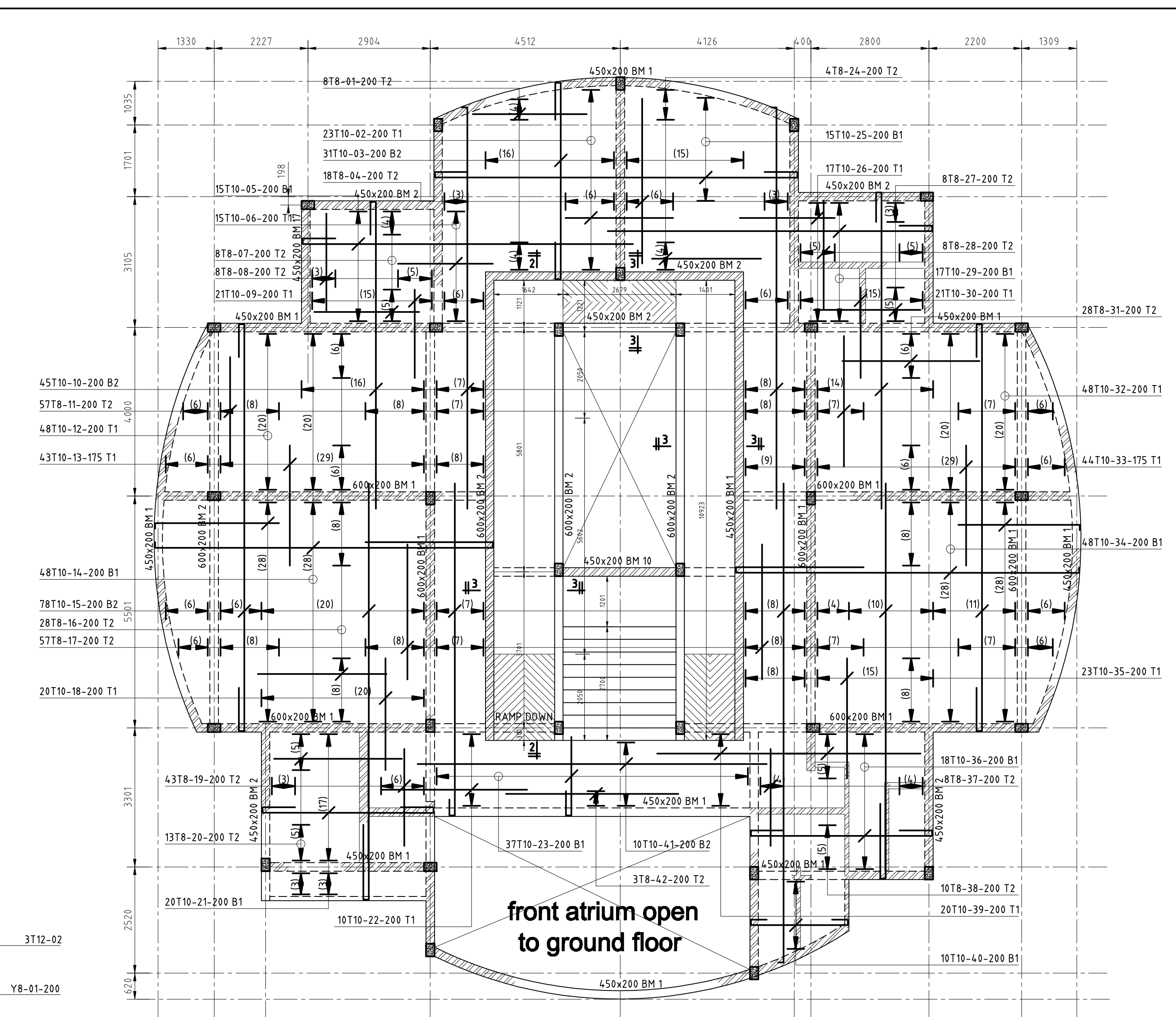
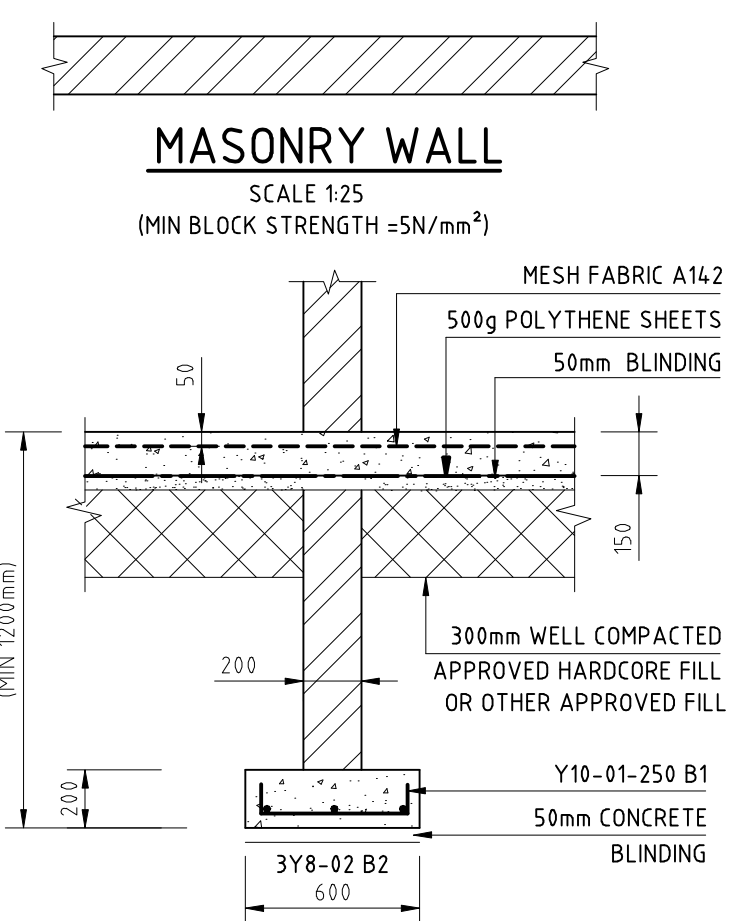


FOUNDATION LAYOUT
SCALE 1:75



UPPER FLOOR SLAB REINFORCEMENT
SCALE 1:75



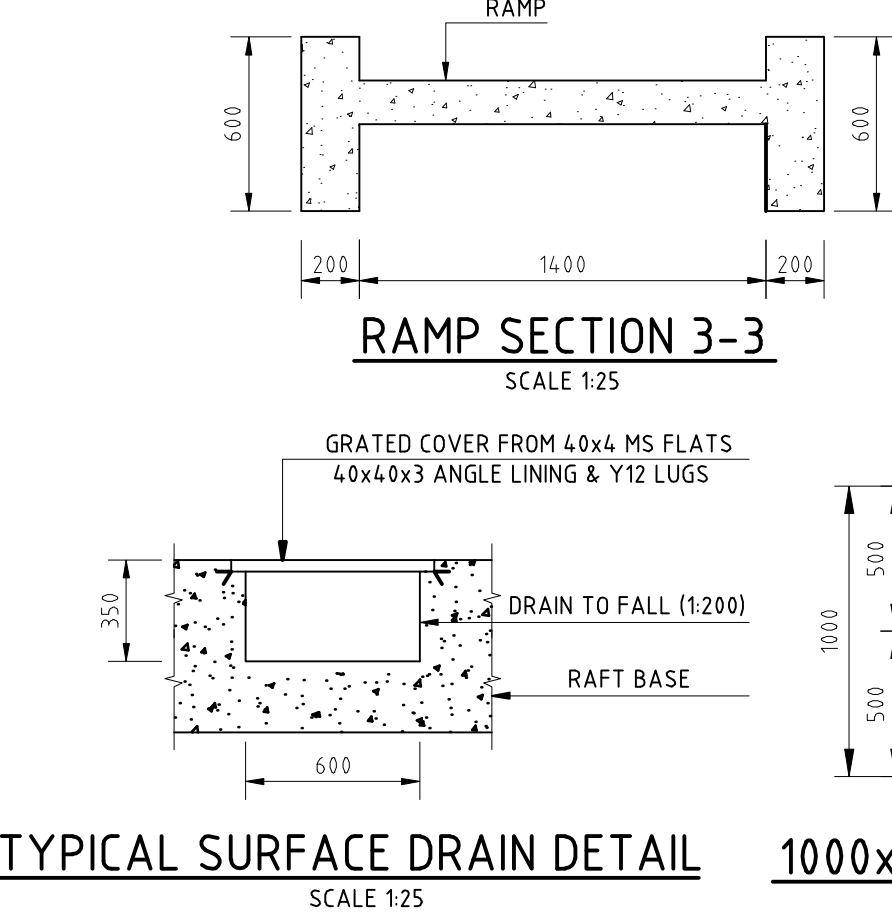
SECTION 1-1
SCALE 1:25

COLUMNS SCHEDULE

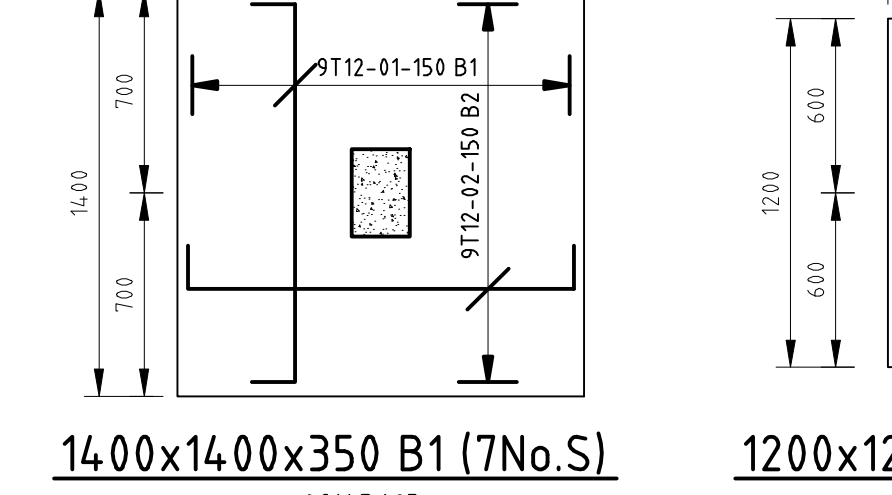
COLUMN	SIZE	No.S	STARTER BARS
C1	300x200	30	4T16-02 + T8-200-01

BASES SCHEDULE

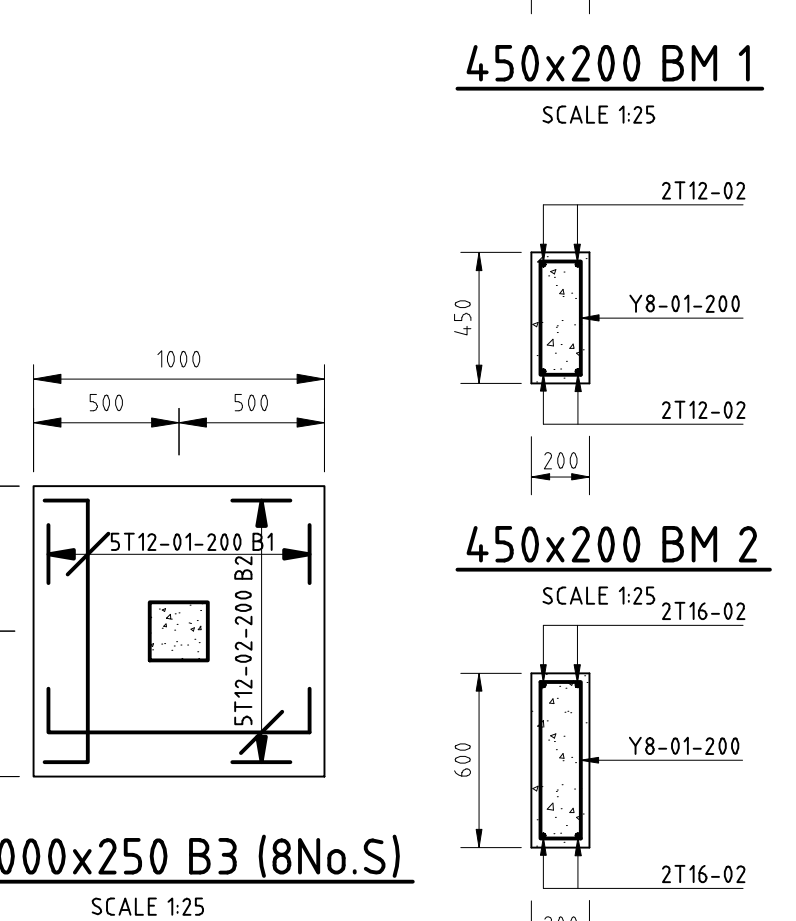
BASE	SIZE	No.S	REINFORCEMENT
B1	1400x1400x350	7	6T16-01-250 B1 & B2
B2	1200x1200x300	15	7T12-01-150 B1 & B2
B3	1000x1000x250	8	7T12-01-150 B1 & B2



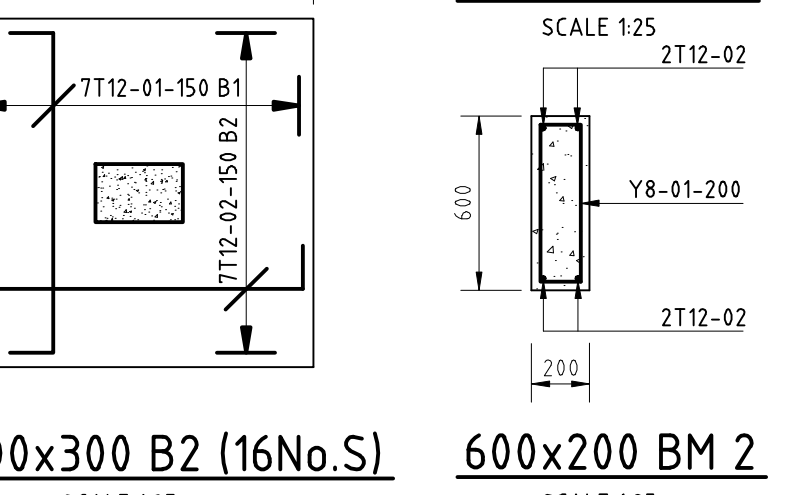
TYPICAL SURFACE DRAIN DETAIL
SCALE 1:25



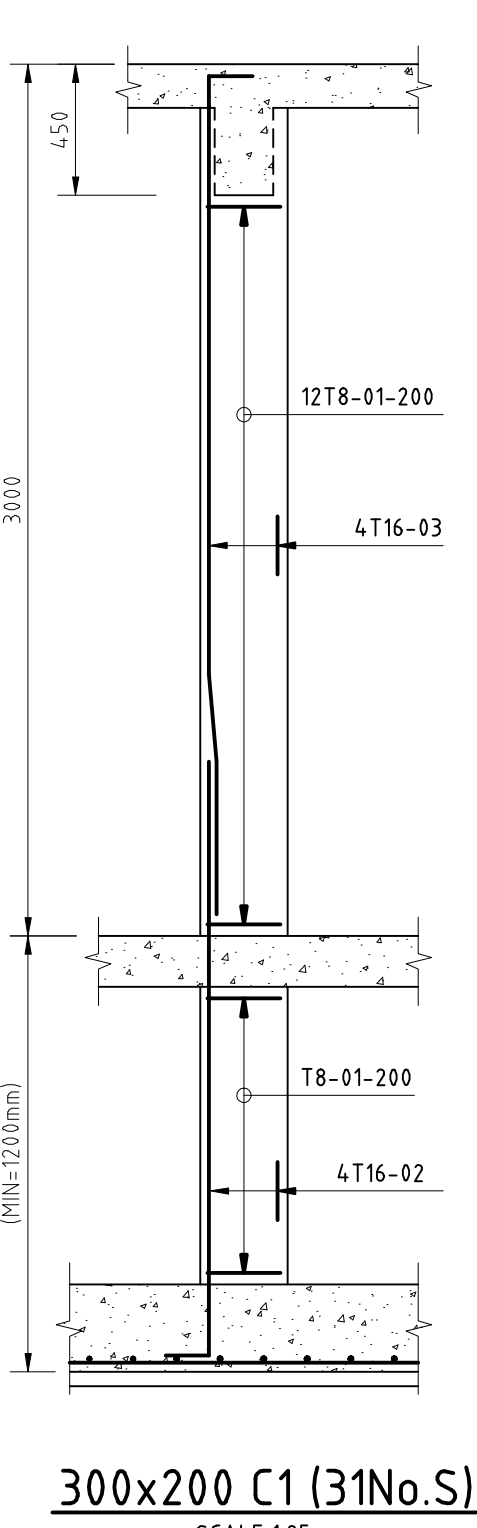
1400x1400x350 B1 (7No.S)
SCALE 1:25



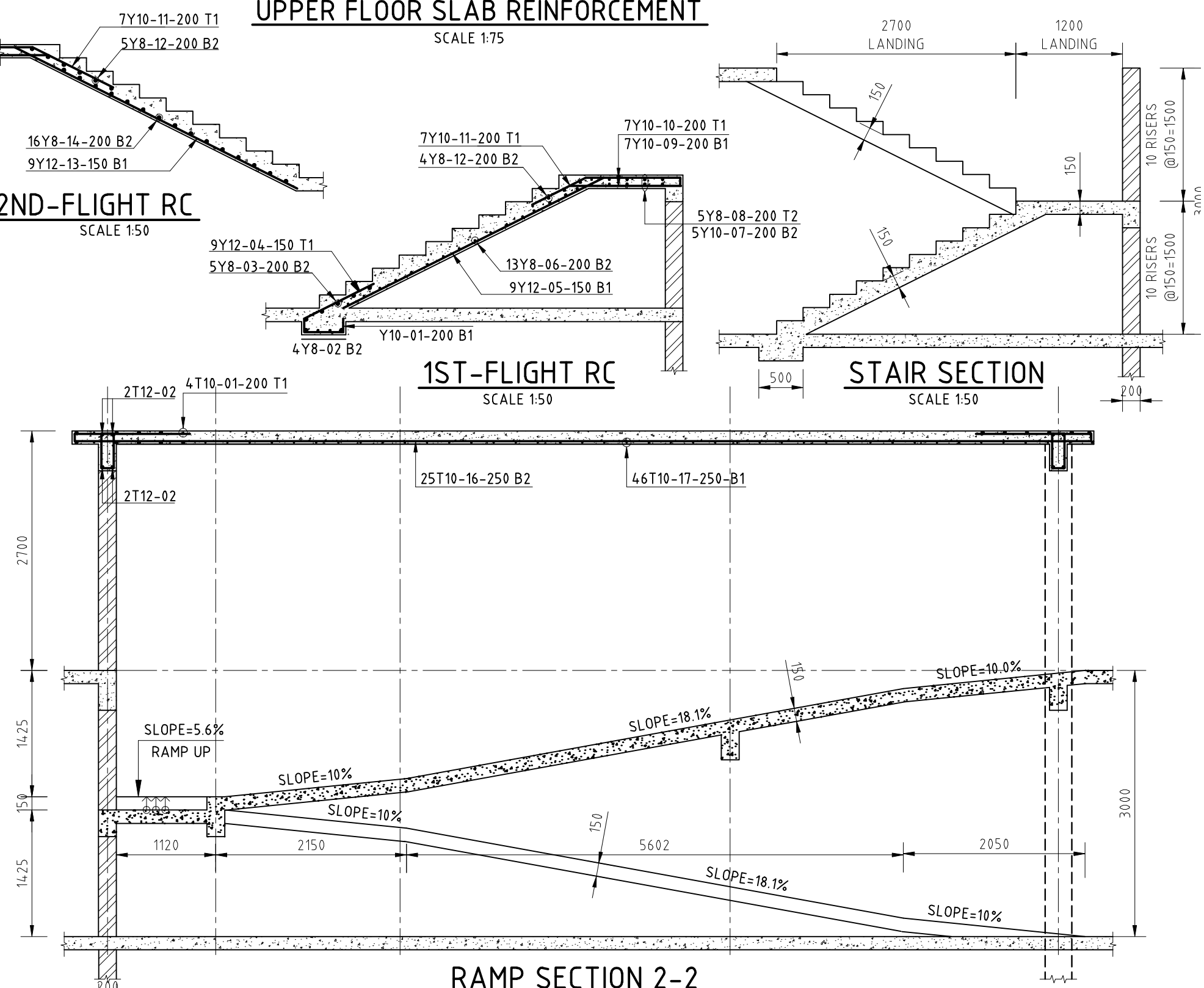
1000x1000x250 B3 (8No.S)
SCALE 1:25



600x200 BM 2
SCALE 1:25



300x200 C1 (31No.S)
SCALE 1:25



RAMP SECTION 2-2
SCALE 1:50

ALL DIMENSIONS AND LEVELS ARE TO BE VERIFIED ON SITE BY THE CONTRACTOR BEFORE COMMENCING ANY WORK.
THE COPYRIGHT IN THIS DRAWING, INCLUDING THE DESIGN AND DETAILS SHOWN HEREON, IS RESERVED BY THE DESIGN ENGINEERS.
THIS DRAWING IS NOT TO BE USED IN WHOLE OR PART OTHER THAN FOR THE INTENDED PURPOSE AND PROJECT, AS DEFINED ON THIS DRAWING. REFER TO THE CONTRACT FOR FULL TERMS AND CONDITIONS.

ON ORIGINAL

- GENERAL NOTES:**
- ALL CONCRETE TO BE AS FOLLOWS:
-FOUNDATIONS, RETAINING WALLS AND COLUMNS CLASS 25/20
-FLOOR SLABS, BEAMS & STAIRS CLASS 25/20
 - REINFORCEMENT TO BE HIGH YIELD RIBBED "T" AND HIGH YIELD SQUARE TWISTED "Y" AS INDICATED
 - MINIMUM COVER TO MAIN REINFORCEMENT TO BE:
FOUNDATIONS = 50mm
COLUMNS = 40mm
BEAMS & SLABS = 25mm
 - MINIMUM LAPS ARE 50 x DIAMETER OF THE BAR
 - ALL REINFORCEMENT TO BE INSPECTED BY THE STRUCTURAL ENGINEER BEFORE CONCRETING
 - ALL FOUNDATIONS TO BE TAKEN DOWN TO FIRM BEARING STRATA TO ENGINEER'S APPROVAL
 - FOUNDATIONS DESIGNED FOR ALLOWABLE BEARING PRESSURE OF 400 KN/m²
 - THE STRUCTURAL DRAWING TO BE READ IN CONJUNCTION WITH ARCHITECTURAL & M.E DRAWINGS

No	DATE	DETAILS	REVISIONS	Chd	Appd

CLIENT
EGERTON UNIVERSITY
P.O Box 536
EGERTON.....

CONSULTANT
Drawn **SMM**
Checked **SMM**

Project
PROPOSED OFFICE BLOCK -TAGDev
Eger Hub for Business Incubation ,
Innovation and community Engagement
PLOT No.....

Description
STRUCTURAL ENGINEERING DRAWING

Scale **1:25/75** Date **SEPTEMBER 2020**

Project No **4120** Drg. No **L01**